

PRODUCT SPECIFICATIONS



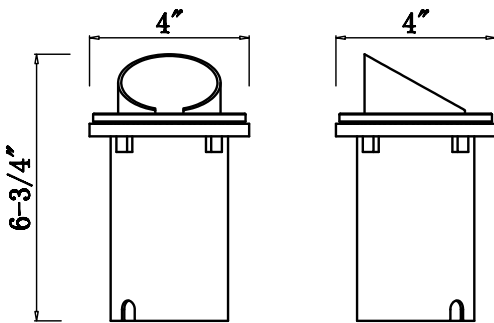
Low Voltage Landscape Lighting Well Light - B203 Series

Product Description

The B203 Well Light is constructed with PVC housing, and a brass visor shroud cover for superior longevity and durability. This fixture is great for areas where a flush mount is preferred. The fixture comes with a 36" wire lead and MR16 LED Lamp, which provides 60 degrees of light beam spread. These lights are to be buried with just the shroud of the well light above ground. The B203 Light includes two silicone wire nuts that are rated for direct burial applications and the MR16 Lamp. The MR16 LED lamp can be easily replaced in minutes with just a screwdriver.



Product Dimension



Specifications

- Construction: Brass Shroud and PVC Lower Housing.
- Shroud Finish: Black Powder Coat or Antique Brushed Bronze.
- Lead Wire: 36" (Standard) 18AWG, SPT-1W black waterproof wire.
- Glass or Lens: Clear Tempered Glass Lens.
- Light Source (included): MR16 4W 60° 2700K 250 Lumen LED Lamp.
- Maximum Lamp Rating: 20W
- Recommended Lamp Rating: 20W
- Operating Voltage: 12V AC
- Shipping Weight: 1.76 lbs
- Powered By: Low Voltage Transformer (Sold Separately)

Features & Benefits

- Brass Shroud Construction with a PVC Lower Housing.
- Powder Coat or Bronzing Finish – Protects fixture from wear and corrosion.
- Beryllium Copper Socket Housing – More corrosion resistant than copper.
- Water Tight Gasket Ring – Keeps water from entering housing.
- Heat Resistant Tempered Glass Lens.
- Easy LED Bulb Replacement.
- 60 Degree Light Beam Spread.
- Comes with (2) Silicone Filled Wire Connectors - Rated for direct burial and outdoor use.

Warranty

- Tru-Scapes Lighting Sockets have a Lifetime Warranty.
- Light fixtures of brass, copper or stainless steel, including finishes are warranted for five (5) years.
- LED Bulbs are warranted for five (5) years or 30,000 hours, whichever comes first.
- Stainless Steel, Painted and Weatherproof (plastic housing) transformers, excluding timers and photo cells, are warranted for five (5) years for the original purchaser.
- Tru-Scapes warranties do not cover plants that die or burn because of continuous light shined on them. This is not a defect, but the inherent nature of such plants. Certain acid-loving plants such as arborvitae, pine trees, and others must not be exposed to light of any kind for more than 18 hours a day as these plants need time to sleep and allow photosynthesis to naturally occur.
- Low voltage landscape lighting fixture housings made of brass do naturally patina in color which is not a defect. (Please see www.Tru-Scapes.com for cleaning instructions.)
- See our full Warranty details at www.Tru-Scapes.com/faq.

Certifications

