

# PRODUCT SPECIFICATIONS



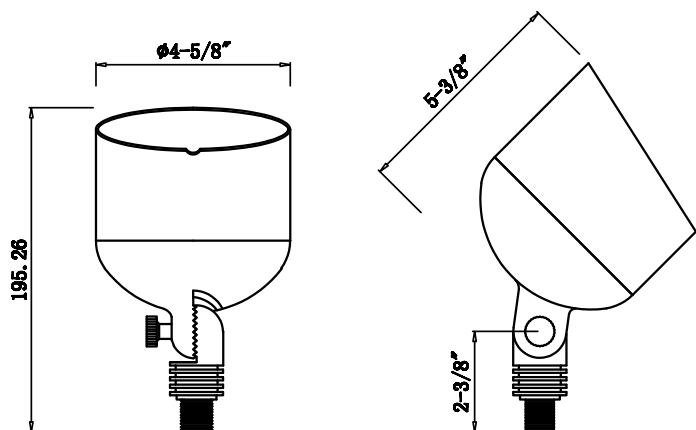
## Low Voltage Landscape Lighting Accent Light - B106 Series



### Product Description

The B106 Accent Light is constructed from a heavy-duty solid die-cast brass and have a gasket ring seal to prevent water from entering fixture. The fixture is built with a beryllium copper socket housing, an PAR36 LED Lamp, clear heat-resistant glass lens, a drainage notch on the shield, thumb nut on knuckle for easy adjustment, a locknut, and a heavy-duty 8" ground stake. This fixture is used to highlight focal point plants, trees or to light up a wall, statue or fountain. The B106 with the PAR36 120° LED Lamp will provide a wider light beam spread compared to our other Accent Lights.

### Product Dimension



### Specifications

- Construction: Heavy Duty Solid Brass
- Finish: Black Powder Coat or Antique Brushed Bronze
- Lead Wire: 36" (Standard) 18AWG, SPT-1W black waterproof wire.
- Mounting: 8" Heavy Duty Stake with cut out for wire exit
- Glass or Lens: Clear Protective Glass Lens .
- Light Source (included): Par36 8W 120° 2700K 900 Lumen LED Lamp.
- Maximum Lamp Rating: 20W
- Recommended Lamp Rating: 8W
- Operating Voltage: 12V AC/DC
- Shipping Weight: 4.13 lbs
- Powered By: Low Voltage Transformer (Sold Separately)

### Features & Benefits

- Heavy Duty Die-Cast Brass Construction
- Powder Coat or Bronzing Finish – Protects fixture from weather and corrosion.
- Beryllium Copper Socket – More corrosion resistant than copper.
- Water Tight Gasket Ring – Keeps water from entering housing.
- Heat Resistant Clear Glass Lens and Drainage Notch keeps water from pooling on the face of the lens.
- Comes with (2) Silicone Filled Wire Connectors -Rated for direct burial and outdoor use.

### Certifications



### Warranty

- Tru-Scapes Lighting Sockets have a Lifetime Warranty.
- Light fixtures of brass, copper or stainless steel, including finishes are warranted for five (5) years.
- LED Bulbs are warranted for five (5) years or 30,000 hours, whichever comes first.
- Stainless Steel, Painted and Weatherproof (plastic housing) transformers, excluding timers and photo cells, are warranted for five (5) years for the original purchaser.
- Tru-Scapes warranties do not cover plants that die or burn because of continuous light shined on them. This is not a defect, but the inherent nature of such plants. Certain acid-loving plants such as arborvitae, pine trees, and others must not be exposed to light of any kind for more than 18 hours a day as these plants need time to sleep and allow photosynthesis to naturally occur.
- Low voltage landscape lighting fixture housings made of brass do naturally patina in color which is not a defect. (Please see [www.Tru-Scapes.com](http://www.Tru-Scapes.com) for cleaning instructions.)
- See our full Warranty details at [www.Tru-Scapes.com/faq](http://www.Tru-Scapes.com/faq).