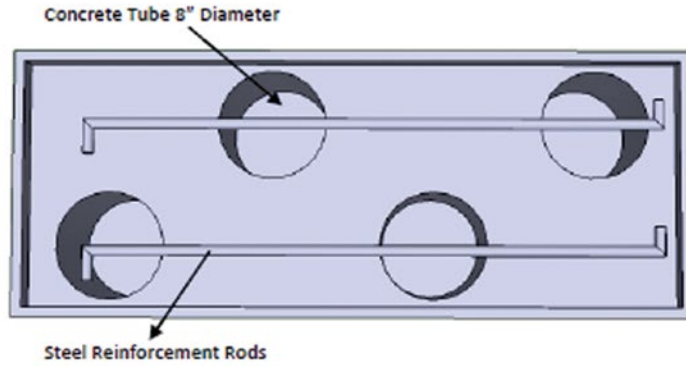


FORTIFIED INSTALLATION INSTRUCTIONS

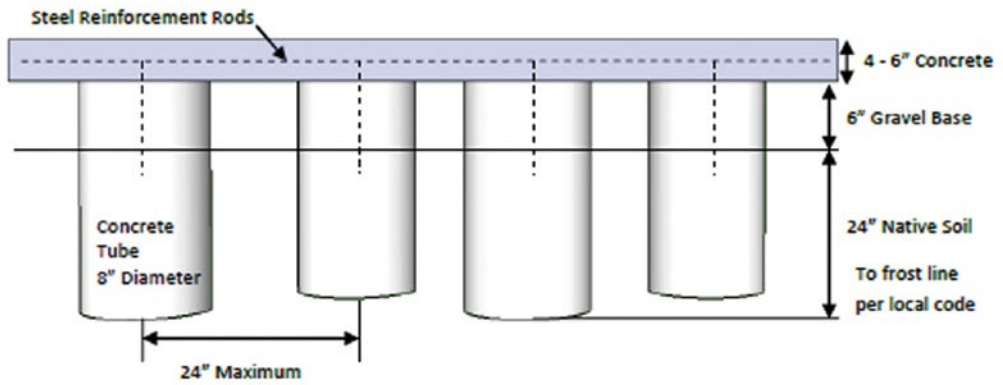
Typical Cross Section for Concrete Pad Installation

***The following measurements are a suggestion. Always check your local building codes first.*

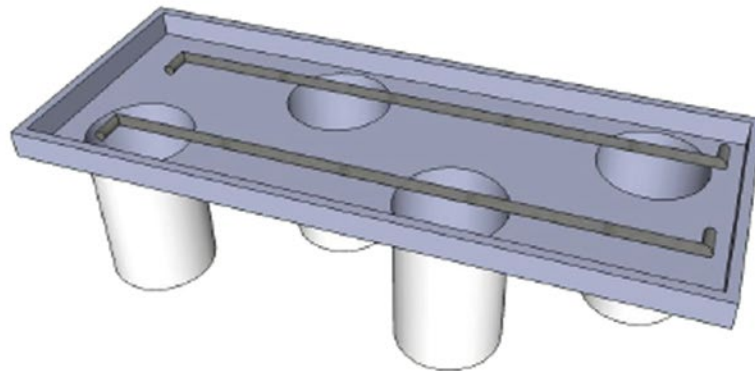
Top View



Side View



3D View



For areas not affected by freeze-thaw conditions please contact your local Belgard sales representative for further installation information.